

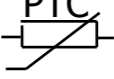


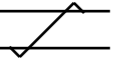
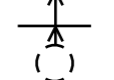


**LEGEND
SYMBOLER**

-  Motor
Motor
-  Brake
Broms
-  Temp. sensor (PTC-resistor)
Temp. givare (PTC-motstånd)
-  Resolver
Resolver
-  Protective earth
Skyddsjord
-  Twisted cables
Tvinnade ledare
-  Screened cables
Skärmade ledare

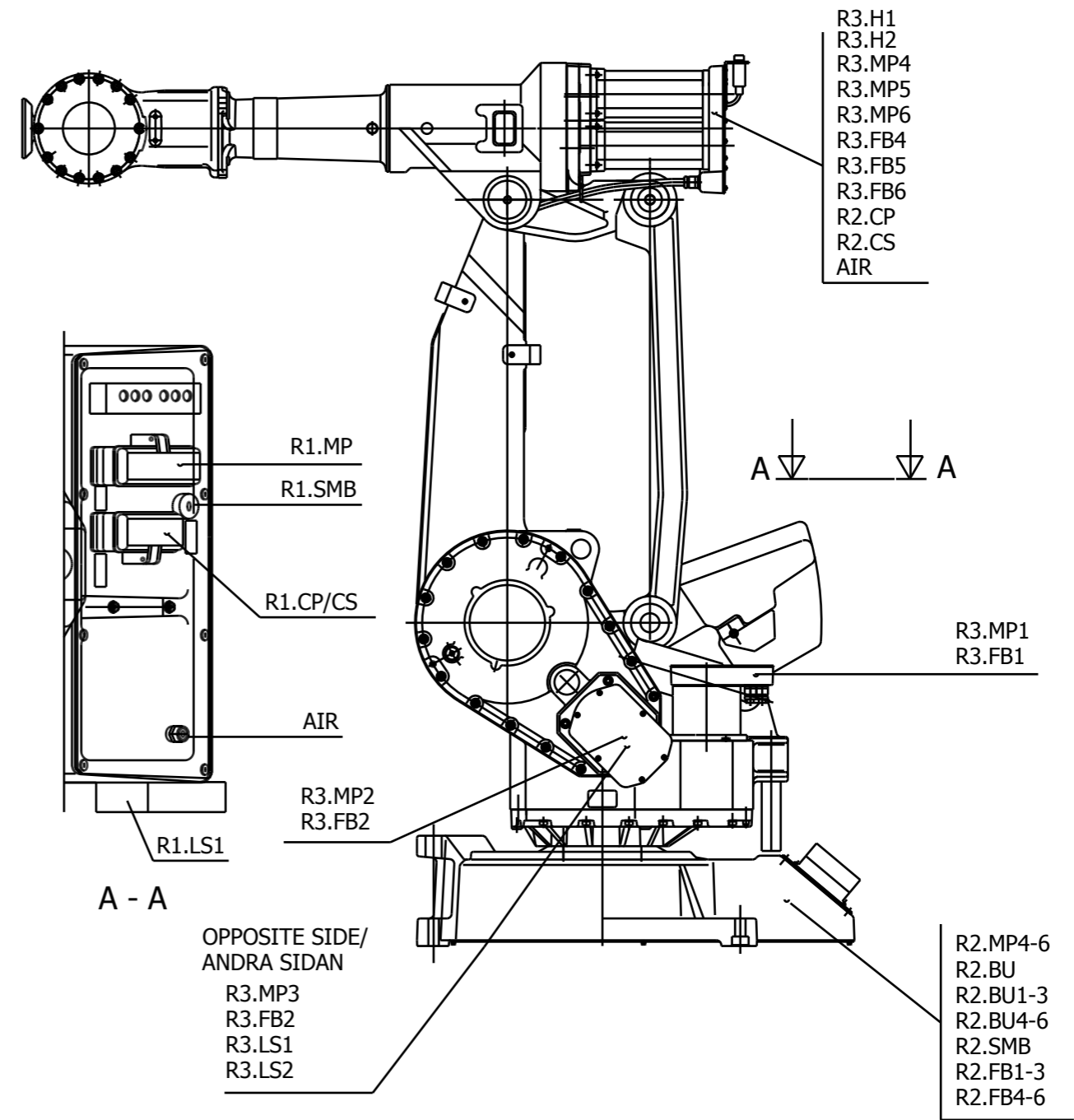
KEY PIN/STIFT

Location pin to avoid mismatch of connector
Nyckelstift för att förhindra felanslutning.

**SHEET
BLAD**

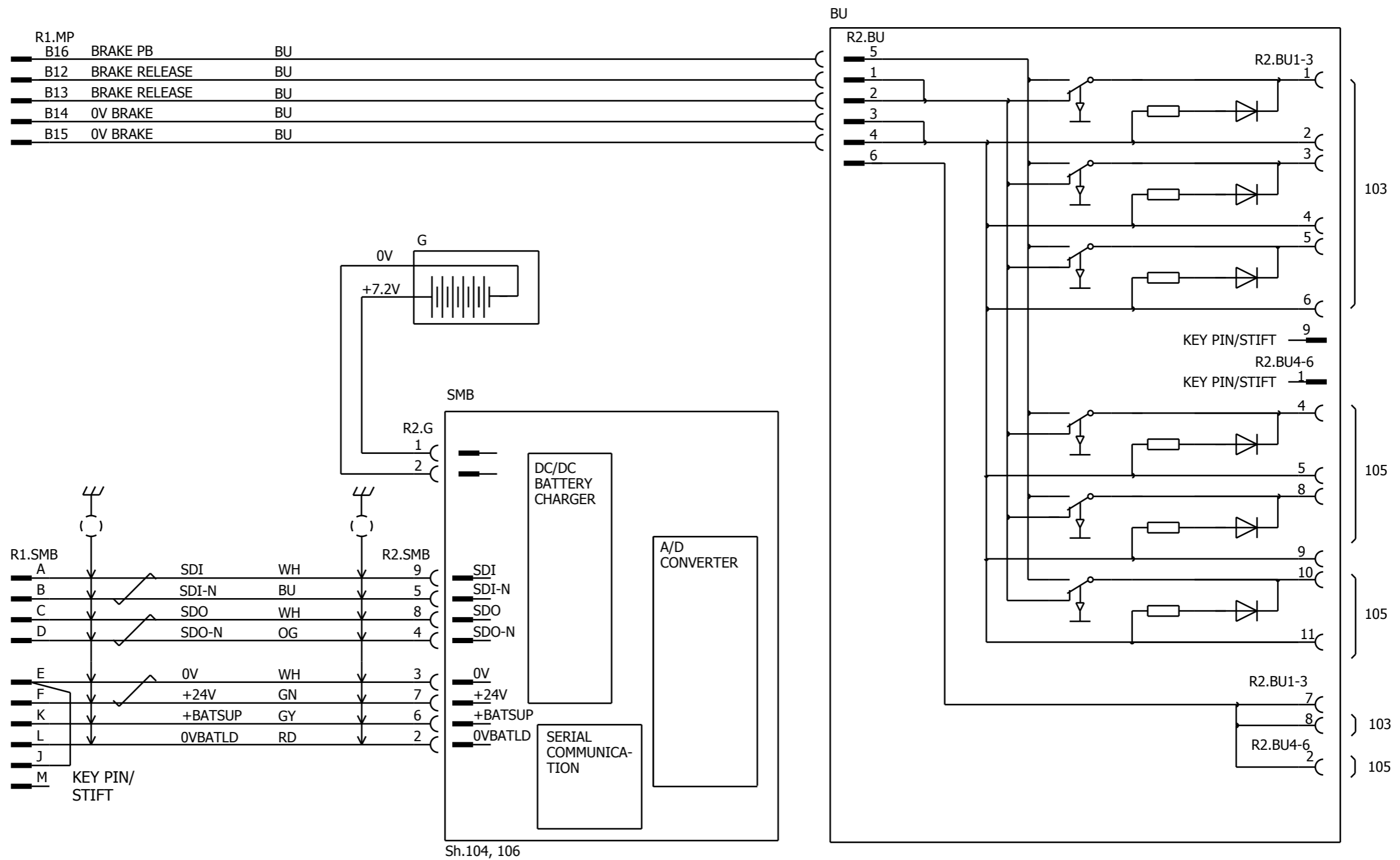
**CONTENT
INNEHÅLL**

102	Brake release unit, Serial measuring board Bromslossningsenhet, Seriemätkort
103	Motor axis 1-3 Motor axel 1-3
104	Feed-back axis 1-3 Återföringsdon axel 1-3
105	Motor axis 4-6 Motor axel 4-6
106	Feed-back axis 4-6 Återföringsdon axel 4-6
107	Customer connection Kundanslutning
108	Position indicator axis 1; OPTION Lägesindikering axel 1; OPTION



We reserve all rights in this document and in the information contained therein. Reproduction, use or disclosure to third parties without express authority is strictly forbidden. © Copyright 2003 ABB

We reserve all rights in this document and in the information contained therein. Reproduction, use or disclosure to third parties without express authority is strictly forbidden. © Copyright 2003 ABB



Latest revision:

ECO 40059, SPR 1038405
Sh103: GY wire to R3.LS1 was BK.

Prepared by, date: Erik Mesaros

Approved by, date: Johan Moraeus



Lab/Office:
PRMP

Manipulator IRB 4400 circuit diagram

Brake release unit and serial measuring board

Status: 2009-03-26

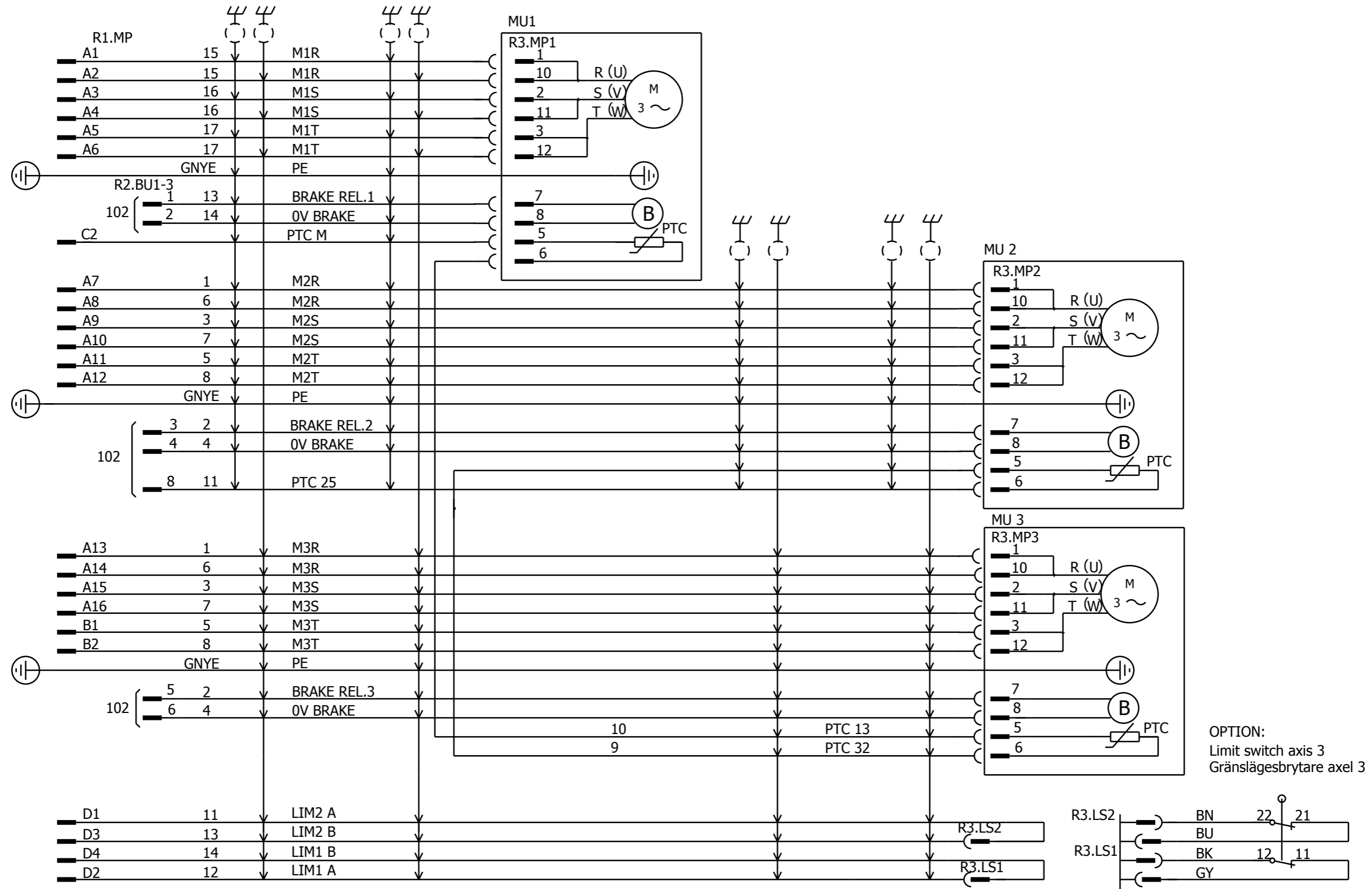
APPROVED

Document no.
3HAC9821-1

Plant: =
Location: +
Sublocation: +

Rev. Ind	102
01	Next 103
	Total 8

We reserve all rights in this document and in the information contained therein. Reproduction, use or disclosure to third parties without express authority is strictly forbidden. © Copyright 2003 ABB



OPTION:
Limit switch axis 3
Gränslägesbrytare axel 3

Latest revision:
ECO 40059, SPR 1038405
Sh103: GY wire to R3.LS1 was BK.

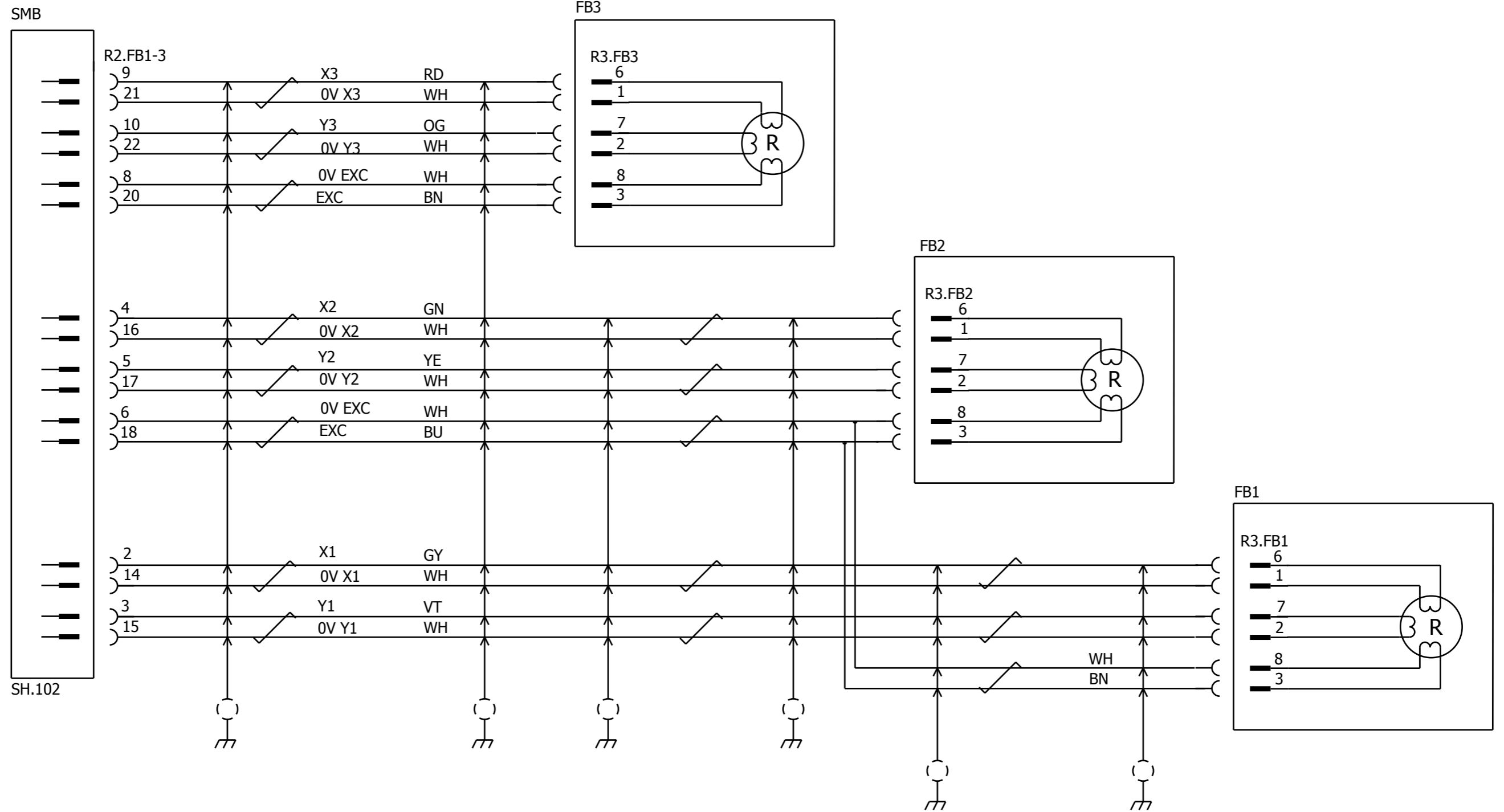
Prepared by, date: Erik Mesaros | Approved by, date: Johan Moraeus

ABB Lab/Office:
PRMP

Manipulator IRB 4400 circuit diagram
Motor axis 1-3

Status: 2009-03-26
APPROVED
Document no. 3HAC9821-1
Plant: =
Location: +
Sublocation: +
Rev. Ind 01
103
Next 104
Total 8

We reserve all rights in this document and in the information contained therein. Reproduction, use or disclosure to third parties without express authority is strictly forbidden. © Copyright 2003 ABB



Latest revision:

ECO 40059, SPR 1038405
Sh103: GY wire to R3.LS1 was BK.



Lab/Office:
PRMP

Manipulator IRB 4400 circuit diagram

Feed back axis 1-3

Status: 2009-03-26

APPROVED

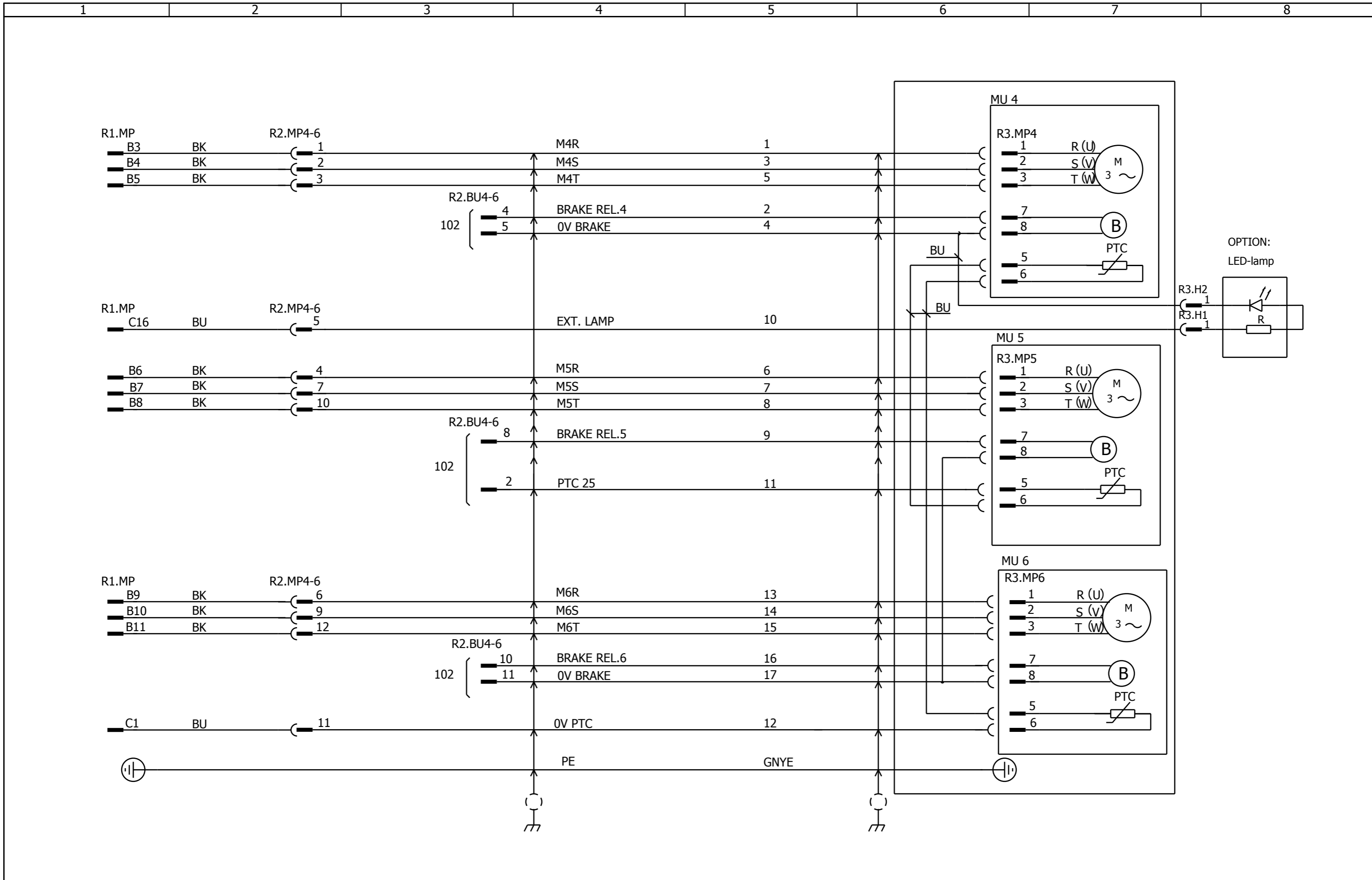
Document no.
3HAC9821-1

Plant: =
Location: +
Sublocation: +

Rev. Ind	104
01	Next 105
	Total 8

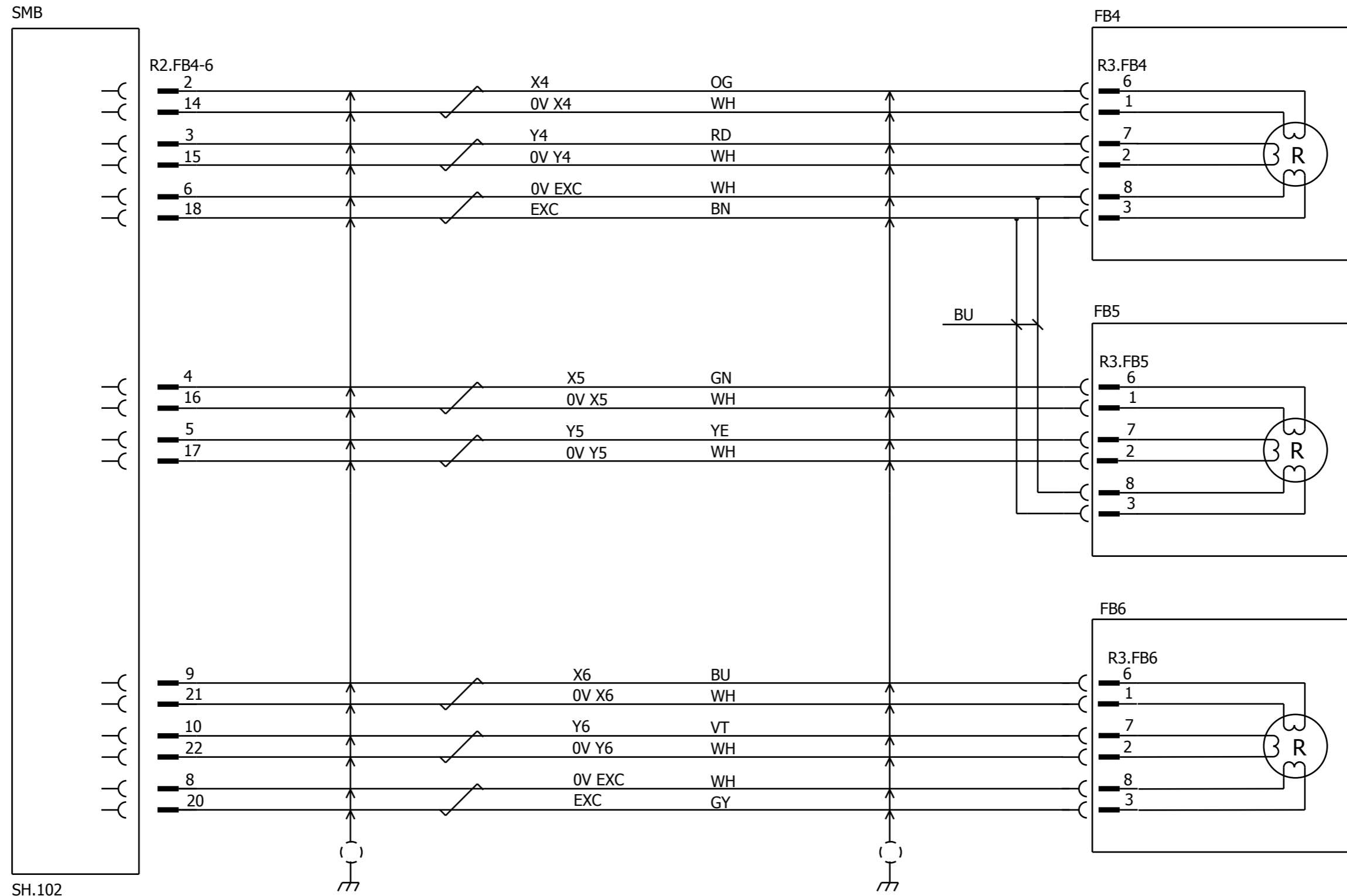
Prepared by, date: Erik Mesaros Approved by, date: Johan Moraeus

We reserve all rights in this document and in the information contained therein. Reproduction, use or disclosure to third parties without express authority is strictly forbidden. © Copyright 2003 ABB



Latest revision: ECO 40059, SPR 1038405 Sh103: GY wire to R3.LS1 was BK.			Lab/Office: PRMP	Manipulator IRB 4400 circuit diagram Motor axis 4-6	Status: 2009-03-26 APPROVED	Plant: = Location: + Sublocation: +	Document no. 3HAC9821-1	Rev. Ind 01	105 Next 106 Total 8
Prepared by, date: Erik Mesaros	Approved by, date: Johan Moraeus								

We reserve all rights in this document and in the information contained therein. Reproduction, use or disclosure to third parties without express authority is strictly forbidden. © Copyright 2003 ABB



Latest revision:

ECO 40059, SPR 1038405
Sh103: GY wire to R3.LS1 was BK.



Lab/Office:
PRMP

Manipulator IRB 4400 circuit diagram

Feed back axis 4-6

Status: 2009-03-26

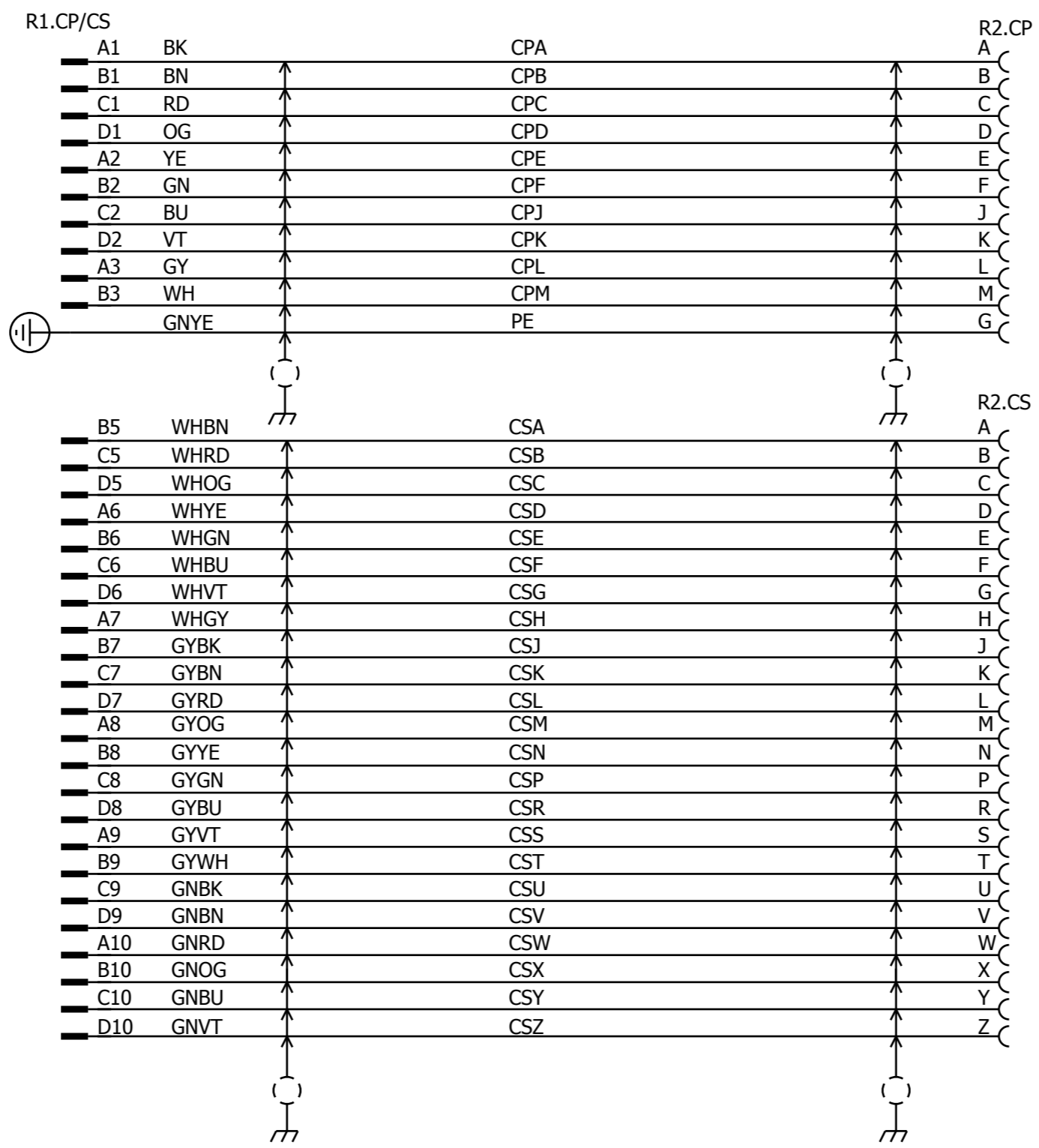
APPROVED

Document no.
3HAC9821-1

Plant: =
Location: +
Sublocation: +

Rev. Ind	106
01	Next 107
	Total 8

Prepared by, date: Erik Mesaros | Approved by, date: Johan Moraeus

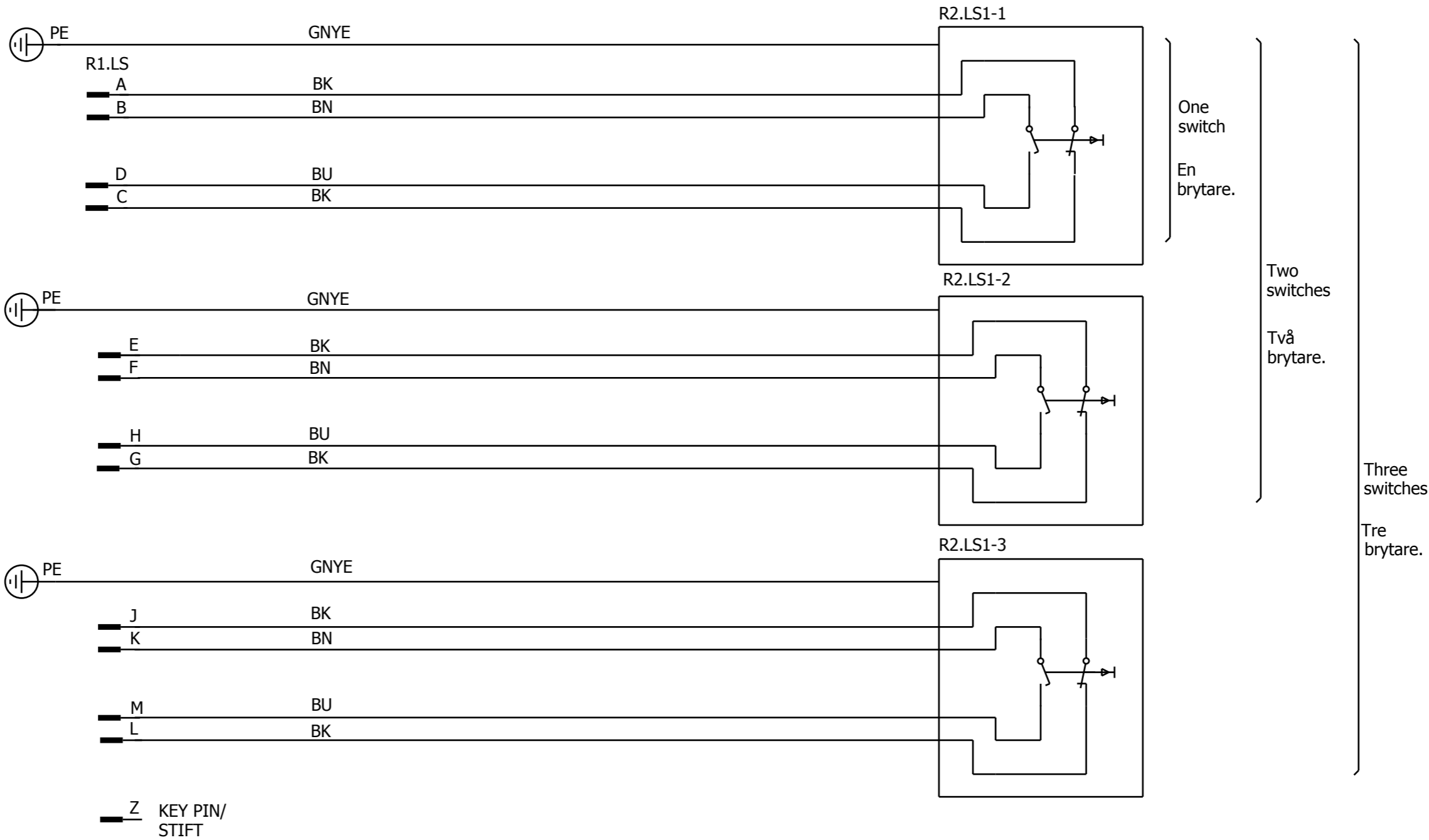


CUSTOMER CONNECTION
POWER
KUNDANSLUTNING
KRAFT

CUSTOMER CONNECTION
SIGNAL
KUNDANSLUTNING
SIGNAL

We reserve all rights in this document and in the information contained therein. Reproduction, use or disclosure to third parties without express authority is strictly forbidden. © Copyright 2003 ABB

Latest revision: ECO 40059, SPR 1038405 Sh103: GY wire to R3.LS1 was BK.			Lab/Office: PRMP	Manipulator IRB 4400 circuit diagram Customer connection	Status: 2009-03-26 APPROVED	Plant: = Location: + Sublocation: +	Document no. 3HAC9821-1	Rev. Ind 01	107 Next 108 Total 8
Prepared by, date: Erik Mesaros	Approved by, date: Johan Moraeus								



We reserve all rights in this document and in the information contained therein. Reproduction, use or disclosure to third parties without express authority is strictly forbidden. © Copyright 2003 ABB

Latest revision: ECO 40059, SPR 1038405 Sh103: GY wire to R3.LS1 was BK.			Lab/Office: PRMP	Manipulator IRB 4400 circuit diagram Position indicator axis 1; OPTION	Status: 2009-03-26 APPROVED	Plant: = Location: + Sublocation: +	Document no. 3HAC9821-1	Rev. Ind 01	108 Next Total 8
Prepared by, date: Erik Mesaros	Approved by, date: Johan Moraeus								